

# TAC Vista™ Security

The Integrated Solution for Building Management and Security



# The TAC Vista Security Solution

Part of the TAC Vista solutions suite



TAC Vista Security brings all the capabilities of TAC's security solutions, and integrates them into the TAC Vista Building Management System, providing a single point of command and control for your facilities.

With TAC Vista Security, you get a comprehensive range of capabilities to help you secure your facilities, including:

- Alarms on a need-to-know basis
- Dynamic event and alarm views
- Powerful event and alarm filters
- Anytime, anywhere access
- Industry-standard technology
- Administration and reporting

In addition, TAC Vista Security supports a broad range of security devices and systems, including, comprehensive access control, user and card management, optional video badging and more.

## COMPLETE BUILDING MANAGEMENT

TAC Vista is a comprehensive Building Management System (BMS) that gives you powerful tools for managing all of your facility's environmental systems.

## SAFE AND SECURE

TAC gives you the capabilities you need to keep your people safe and your buildings and assets secure. TAC has put these solutions together to help you manage your buildings for improved effectiveness and reduced costs.

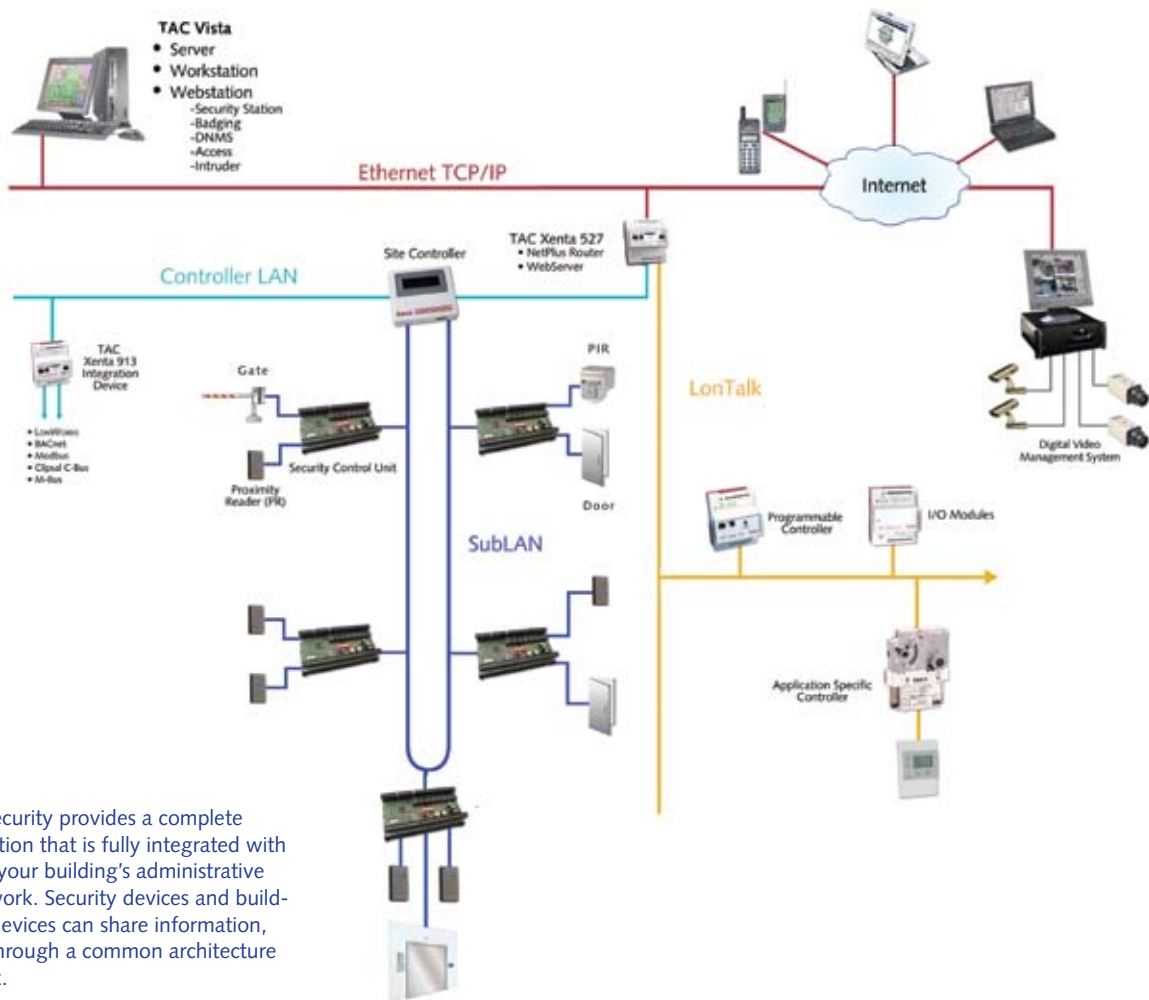
## INTRODUCING TAC VISTA SECURITY. ONE SOLUTION, MULTIPLE BENEFITS

TAC Vista Security is a new solution that allows you to have a single, integrated approach to building management and security from TAC, a world leader in building automation.

TAC Vista Security combined with TAC Vista for building management makes both of these critical systems - building security and management - easier to manage and more cost-effective to own. Furthermore, each system gains power and functionality by being part of a total approach to building operations.

TAC Vista Security is backed by TAC, who works with you as a partner to improve building performance. Simplify your life and improve your overall building management and security.

# Advanced security made simple. And powerful.



TAC Vista Security provides a complete security solution that is fully integrated with Vista, using your building's administrative TCP/IP network. Security devices and building control devices can share information, connected through a common architecture and network.

## SIMPLE TO INSTALL

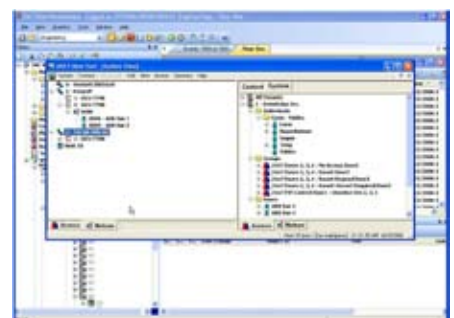
TAC Vista Security is designed to be easy to install. Adding this solution to your Vista system is as simple as ordering the license option, then connecting the security hardware devices using the TAC Xenta™ 527 embedded web and infrastructure product. This same product provides field integration with Xenta LONWORKS® networks as well as providing security integration with TAC Vista.

## EASY TO CONFIGURE

Only a limited amount of user intervention is needed to establish devices on the network. The configuration is intuitive and simple. You just add a TAC Xenta 527 to the Vista device list, and the rest of the setup process is primarily automated.

## POWERFUL TO USE

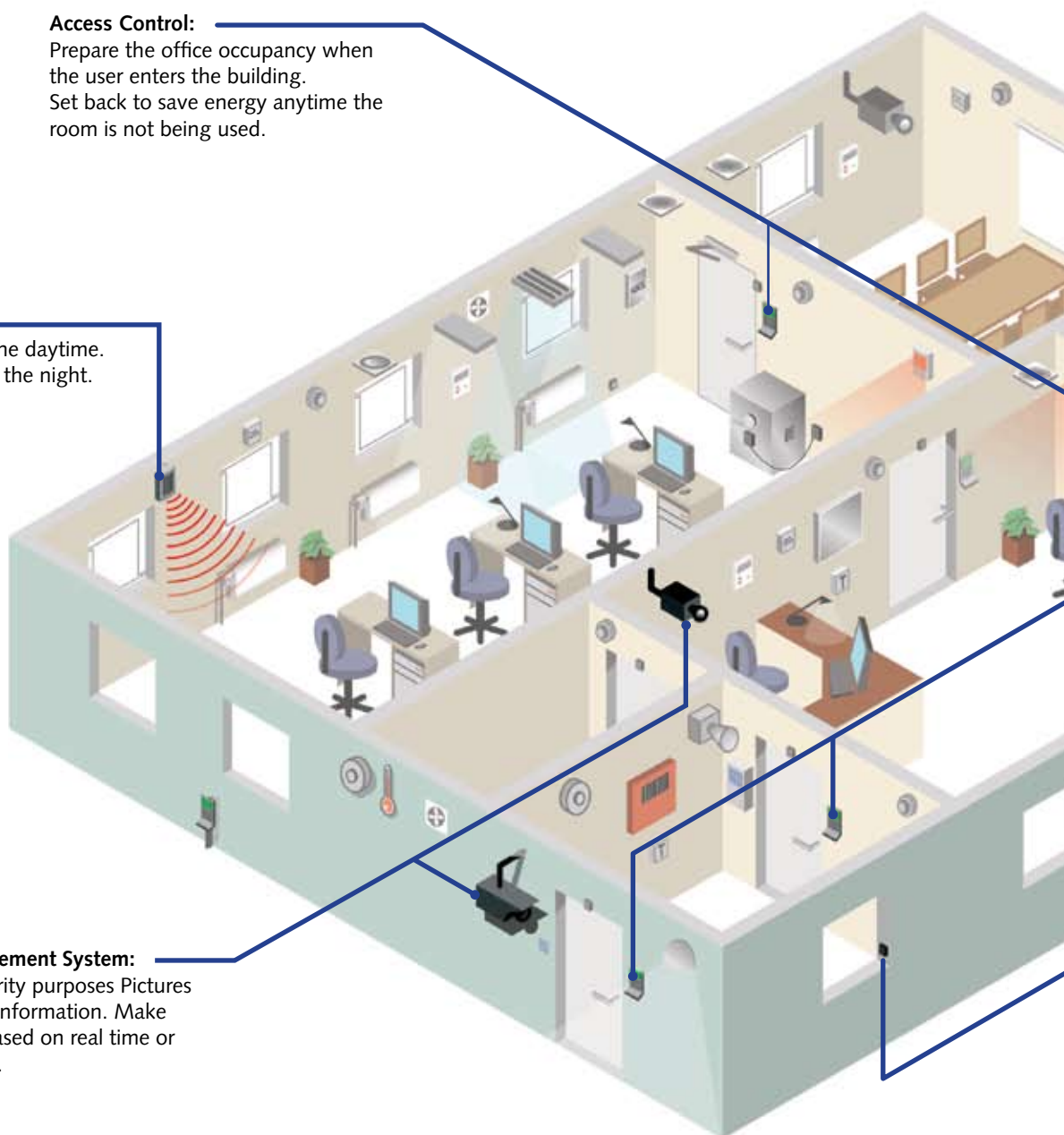
By making use of TAC's experience in security solutions, TAC Vista Security gives users a system that is easy to operate yet provides extremely powerful security capabilities. TAC Vista Security allows comprehensive access control and well designed functions that permit intruder detection monitoring to be established where needed. The open protocol and multiple secondary protocol connections mean that interfaces to e.g. fire systems thru Modbus are easy to achieve.



**Access Control:**  
Prepare the office occupancy when the user enters the building.  
Set back to save energy anytime the room is not being used.

**Motion Detectors:**  
Regulate energy use in the daytime.  
protect the space during the night.

**Digital Video Management System:**  
Can be used for security purposes Pictures provide the ultimate information. Make informed decisions based on real time or recorded information.



### SYNERGY MAKES EACH SYSTEM EVEN BETTER

TAC Vista Security leverages TAC's experience in security and makes the most advanced capabilities available to Vista users.

Yet TAC Vista Security does more. By integrating with TAC Vista for building management, it let's building owners gain the benefits of simplified administration and greater functionality from both systems.

Single systems provide lower cost of ownership than multiple systems; they reduce training time and costs and ease the strain on your security staff. And you receive service and maintenance through one vendor who can leverage the knowledge of both

the Security and BMS systems in all areas of your facilities. A single point of contact also improves control and accountability.

The bottom line: You have an improved ability to coordinate operations and optimize complete building performance including security.

### THE ADVANTAGES OF INTEGRATING SECURITY AND BMS

TAC Vista Security and TAC Vista together give you more options and tools for managing your buildings - both security and environment together. Here are some examples of the advantages you gain:

- Set correct temperatures, lighting levels and security levels based on who enters or leaves areas or buildings based on integrated security detectors. In case of intrusion alarm, the system can use the BMS to turn on the lights in the relevant areas and take other action to heighten security and alert officials.
- Window contacts can be used for multiple purposes: for security during off-hours and for zone control of heating, ventilation, cooling and lighting when the building is in use. This improves energy management and increases user comfort.
- You can use access control data to model building use, and adjust occupancy and set points accordingly.



**Management:**  
One user interface for monitoring and controlling all building management applications.

**Window Contacts:**  
Can be used for security purposes after hours and comfort control during occupancy.

By integrating security and building management systems you can increase functionality, simplify maintenance, reduce training, lower installation costs and improve energy efficiency.

- The intrusion alarm system integrated with individual zone control in every room enables building owners to track what has actually happened by utilizing the alarm log on all PIR detectors, regardless of whether they belong to the security or the BMS system.
- The communication system can run on the building's administrative TCP/IP network, so there is no need for separate communication bus cables and protocols. This simplifies daily operation and provides flexibility for future building changes and expansion. Workstations can be easily connected to any network socket, and Web interfaces can be set up on the users' PCs wherever there is a network connection.

#### ABOUT TAC VISTA – THE COMPLETE PRESENTATION SYSTEM

TAC Vista is a comprehensive suite of software for controlling every aspect of building automation, from HVAC and lighting to energy reporting.

TAC Vista combines industry-standard technology with an easy-to-use interface to provide an integrated building management solution that is reliable, flexible and cost-effective. It provides full integration of environmental control as well as facility and energy management in a single software package.

For more information, visit [www.tac.com](http://www.tac.com) or contact your TAC representative.

#### TAC Vista Security

TAC's comprehensive security solutions are proven in thousands of installations worldwide. Now integrated in the TAC Vista building management system, these powerful and reliable solutions provide features that are easy to install, operate, integrate, expand and maintain – throughout the life of your facilities.

---

Copyright © 2006, TAC  
All brand names, trademarks and registered trademarks  
are the property of their respective owners. Information  
contained within this document is subject to change without  
notice. All rights reserved.

BR-VISTASECURITY-US  
06/06



[www.tac.com](http://www.tac.com)

