



# NWS NOTI•FIRE•NET™ Web Server

Section: Network Systems

## GENERAL

The **NOTI•FIRE•NET™ Web Server (NWS)** is a web-based device that acts as an HTML server, allowing remote access to the **NOTI•FIRE•NET™** network via the Internet or an intranet. With the NWS interface, users can view fire alarm control panel (FACP) event history, event status, device properties and other information based on access permissions defined by the system administrator. All data available on the NWS is a "snapshot" of the data on the **NOTI•FIRE•NET™** network at the time the browser requested the information.

The NWS communicates to **NOTI•FIRE•NET™** version 5.0 and higher. The NWS interfaces to the Internet/intranet using an IP-based wire Ethernet connection. Use the Serial Configuration Tool to make the necessary network configuration settings which allow the web server to communicate with the browser.

## FEATURES

*For the NOTI•FIRE•NET™ Web Server and Serial Configuration Tool:*

- Access **NOTI•FIRE•NET™** device statuses and properties remotely via the Internet or an intranet.
- Compatible with **NOTI•FIRE•NET™** version 5.0 and higher.
- Serial Configuration Tool runs on any laptop or PC using Windows® and having an open COM port.
- One NWS supports multiple users.
- Standard Ethernet over IP connection.
- Supports up to 64 operator and 64 administrator accounts.
- Built-in password security and user-access record.
- Supports standard Microsoft® Internet Explorer 5.0 or higher.
- Intuitive Explorer-style user interface.

## COMPATIBILITY

The NWS is compatible with **NOTI•FIRE•NET™** version 5.0 and higher for the following panels and devices:

- ONYX™ Series NFS-3030 and NFS-640.
- AM2020/AFP1010 (version 5.0 SIB).
- AFP-200 (events only).
- AFP-300/AFP-400.
- BACnet Gateway (events only).
- NFN NION (events only).
- NCS Network Control Station (events only).
- NCA Network Control Annunciator (events only).

**NOTE:** The NWS is NOT intended as a primary annunciator and is ancillary in nature.

## SYSTEM REQUIREMENTS

- **NOTI•FIRE•NET™ Web Server (NWS).**
- **NCM-W** or **NCM-F.**
- **Browser:** Microsoft® Internet Explorer, version 5.0 or higher, running on Windows® 98 or 2000 required. **NOTE:** Netscape® is not fully supported by the NWS application.
- **Serial Configuration Tool** requires a Windows® 98 or 2000 operating system.



Above: NWS Home Page. Below: Detector Read Status screen.

- **Modem connection option** requires a serial modem with a minimum capability of 57.6K baud.

## SYSTEM ARCHITECTURE

There are two network options for the NWS — see page 2 :

- Connecting to a **NOTI•FIRE•NET™** network.
- Using a dialup modem.

**NOTI•FIRE•NET™** and **UniNet™** are trademarks of **NOTIFIER®**. **Microsoft®** and **Windows®** are registered trademarks of Microsoft Corporation.

NOTIFIER® is an operation of **Honeywell**.

This document is not intended to be used for installation purposes. We try to keep our product information up-to-date and accurate. We cannot cover all specific applications or anticipate all requirements. All specifications are subject to change without notice. For more information, contact **NOTIFIER**. Phone: (203) 484-7161 FAX: (203) 484-7118



12 Clintonville Road, Northford, Connecticut 06472

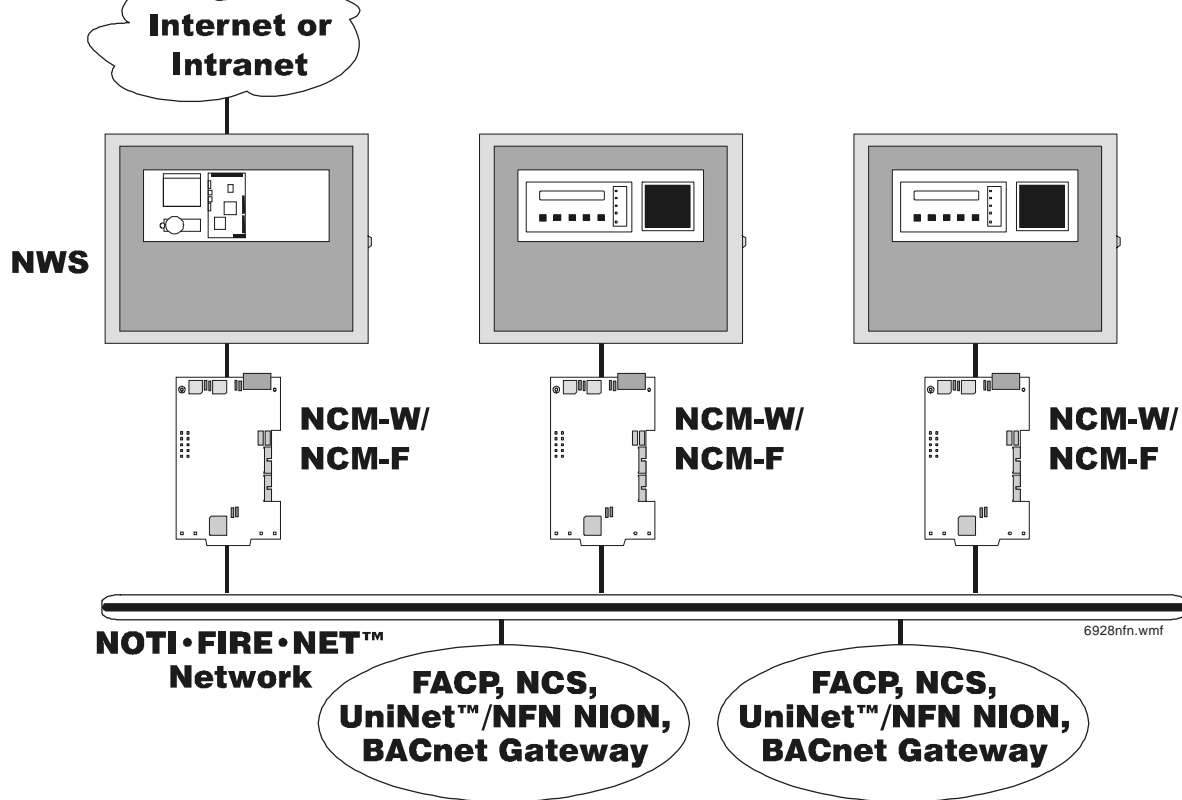


Made in the U.S.A.



## NWS ON THE NOTI•FIRE•NET™ NETWORK

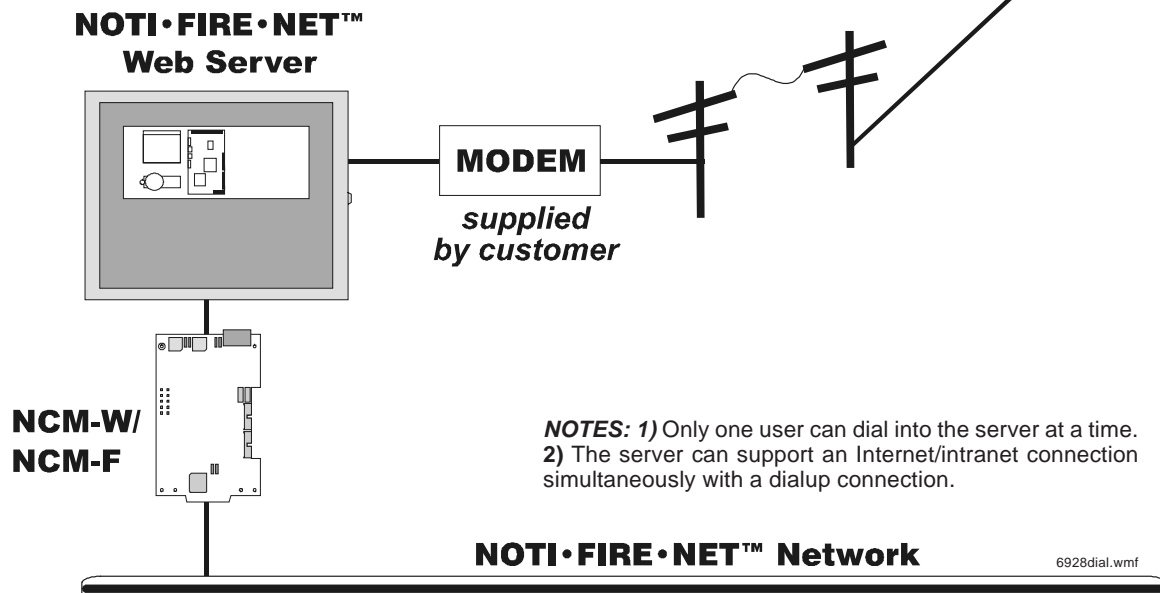
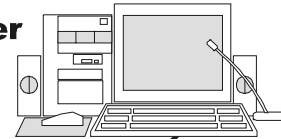
The NWS can be connected to the **NOTI•FIRE•NET™** network via the Network Control Module (NCM) network interface card.



## NWS DIALUP CONNECTION

The NWS can use a serial modem to communicate with a remote browser via telephone lines.

## PC Browser



**NOTES:** 1) Only one user can dial into the server at a time.  
2) The server can support an Internet/intranet connection simultaneously with a dialup connection.