



### APPLICATIONS

- For optimal readout of meters difficult of access
- For all meter types with pulser or open collector
- Uni directional transmission of meter data via radio to a hand-held terminal-“walk-by/drive-by“
- Reading water, electricity, heat and gas meters is possible

### CHARACTERISTICS

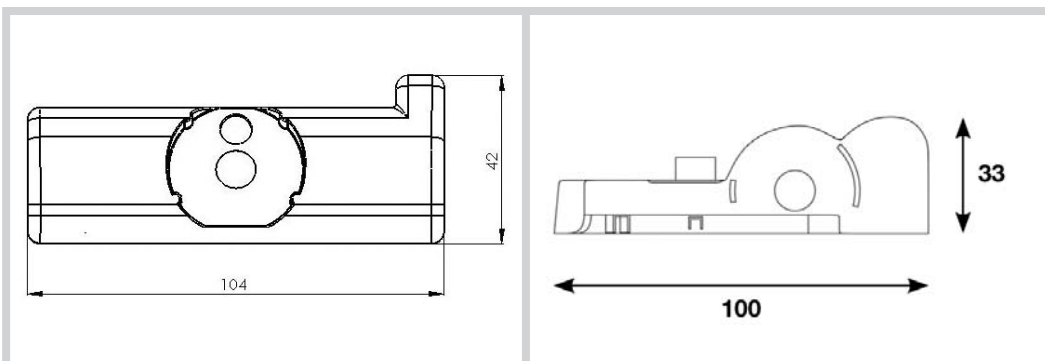
- Easy installation without special tools
- Programming on installation site
  - Pulse rate
  - Count
  - Ident-number
- Interchangeable battery, can therefore continued to be used even after regular meter exchange (capacity for about 15 years)
- With leak-detection function
- Protection Class IP 68
- Problem-free clip-on to BONYTO® meters (compact version) or connection of pulser / open collector (external version).



### FUNCTIONAL PRINCIPLE

The Transceiver HYDRO-RADIO 868 consists of an electronic unit picking up and storing information put out by a pulser. The radiomodule transmits the serial number, the meter value as well as many other operation data every 8 seconds. The portable radio terminal HYDRO-POCKET gathers information and communicates the data directly to the central computer. (The system is compatible to other portable terminals - please contact us!)

### DIMENSIONAL DRAWINGS



### TECHNICAL DATA

Specification of the Radio Equipment	
Frequency band	868,65 MHz
Modulation	FSK
Output	7mW
Transmission	uni directional
Distance	up to 400m
In compliance with the standard	EN 300220
Type test certificate	CE 0165 Ⓡ RTTE

Order numbers	
Compact version	581 000 22
External version	581 000 23
Radio transceiver	581 000 24
Opto transceiver IrDa	538 000 12

### VOLTAGE SUPPLY

- Battery: Lithium 3,6V
- Life-time: about 15 years

### AMBIENT CONDITIONS

- Temperature range: -15 °C - 55 °C
- Humidity: 0 - 100%
- Protection type: IP 685
- Intrinsic safety: Approval - Class IIA

### PROGRAMMING

- optical interface IrDa

### COMPATIBILITY

- Pulsar: Dry contact Type ILS (Reed) / with Open Collector (NPN)
- L-Bus (external module)
- Meter: HYDROMETER Contact Meters, BONYTO® Meter Range and all meter types (liquid, gas and electricity meters) being fitted with a dry contact pulser or open collector (NPN / energy meters)
- Cable length 1.50 m
- Total length of cable + pulser 10 m\*

\* Meets the European Directions regarding electromagnetic compatibility. A cable extension beyond the length indicated may lead to an aberration from this direction.

