

APPLICATION

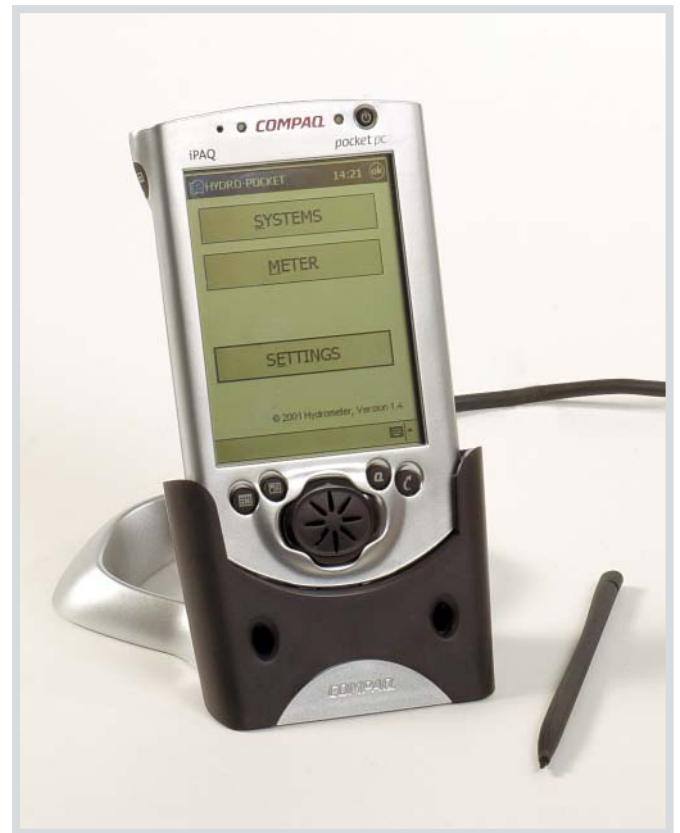
- Portable meter reading
- Configuration of system components
- Data transmission to a desktop PC

FEATURES

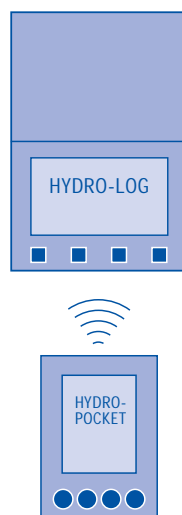
- Lightweight handheld computer
- Well known Windows system
- Easy to use touch screen
- Usable as organizer (dater, notepad, address manager)

TYPE

- Pocket PC
- Operating system Windows CE 3.0
- 64 MB RAM
- Incl. power supply and docking station
- Dimension [cm]: 12,9 * 8,3 * 1,6
- Weight: 165 g

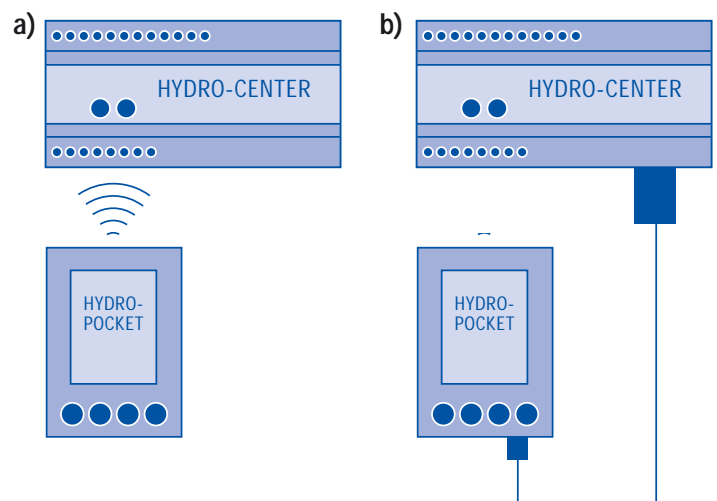


APPLICATIONS



A. HYDRO-LOG

Reading of HYDRO-LOG data via optical IrDA interface. Data transfer to HYDRO-LOG PC software.

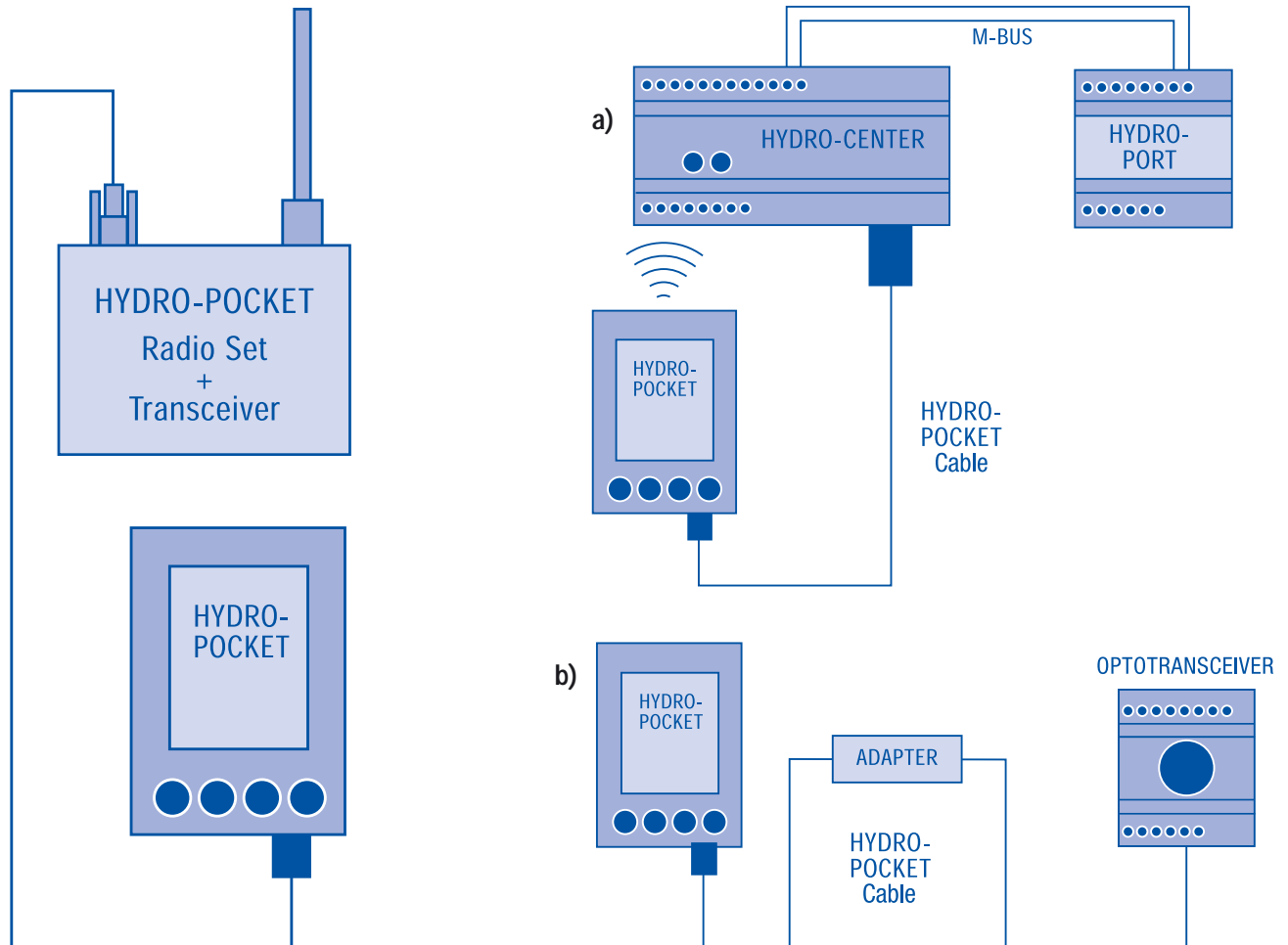


B. HYDRO-CENTER

Configuration and reading of HYDRO-CENTER Memory via a) optical IrDA interface or via b) serial cable connection

Data transfer to HYDRO-NET or Excel® possible.

APPLICATIONS



C. HYDRO-RADIO

Configuration and reading of radio modules, with tour management.
Data transfer to PC software "HYDRO-RADIO CE".

D. HYDRO-PORT

Configuration and reading of HYDRO-PORT Pulse (M-Bus converter) via M-Bus (HYDRO-CENTER) or via ZVEI opto transceiver.

ORDER INFORMATION'S / ACCESSORIES

Model	Description	Order number
HYDRO-POCKET	Mobile reader with docking station	580 000 20
HYDRO-POCKET Cable	Connection cable with adapter for HYDRO-CENTER, OPTO TRANSCEIVER	580 000 27
HYDRO-POCKET Radio Set	Radio reading accessories (power pack, connection cable, power supply)	580 000 26
Radio Transceiver	Radio transceiver	581 000 03
PC Interfacesoftware	PC software "HYDRO-RADIO CE" for radio tour readings.	581 000 09
Opto Transceiver	Opto transceiver according to ZVEI standard	535 000 43